

## Style 711 Bolted Couplings

For Seal & Restraining Joints on any combination of Steel, PE and Cast Iron Pipe

**100% COMPLIANT TO DOT 192.281(e) - ASTM F1948 CATEGORY 1**

Meeting all requirements of the Category 1 Code of Federal Regulations, Dresser has introduced an enhanced design upgrade of the Style 711 seal & restraining coupling product line.

The combination of components on the compression end(s) of the Style 711 product design results in a pressure seal while the metallic gripping mechanism locks the pipe against pull-out providing a complete seal and restraining connection.

Insert stiffeners for PE pipe in all SDR sizes commonly used in natural gas piping systems can be furnished by Dresser. Pipe inserts are color-coded to assist with the identification of proper SDR.

Style 711 couplings offer the convenience of an assembled stab product, essentially eliminating the component disassembly while helping to ensure proper installation. The Style 711 coupling is supplied with AL-CLAD™ epoxy coating as standard. Applied under rigidly controlled factory conditions, this coating offers quality and integrity unlike any field-applied coating.

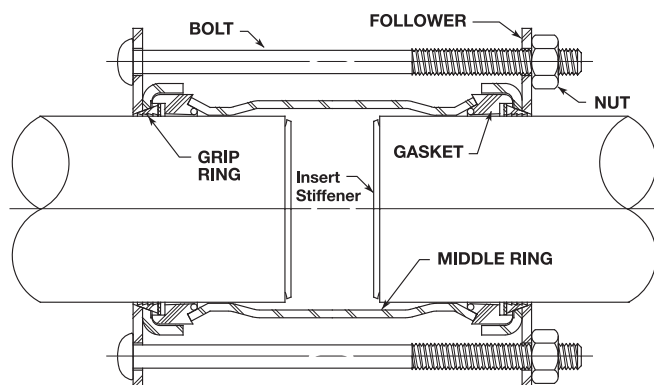


### For Steel, PE and Cast Iron Connections

- Straight couplings, insulating and conductive
- Reducing couplings, insulating and conductive
- Flange Adapters
- Line Caps

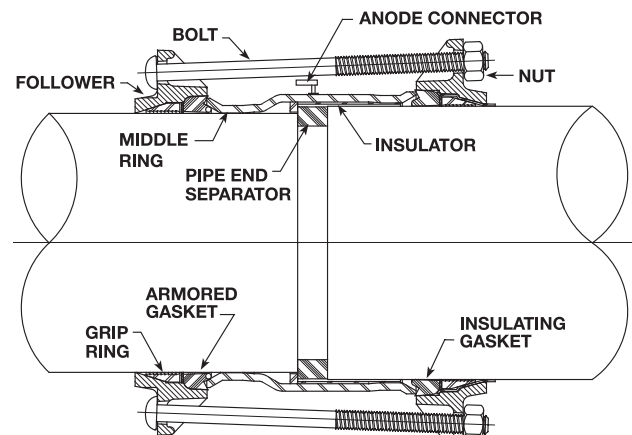
### Style 711 Conductive Coupling

Style 711 conductive couplings feature armored pinned gaskets for cathodic protection, while 4140 carbon steel slotted grip rings provide pipe restraint. Middle ring and followers are constructed of mild carbon steel or ductile iron. All Style 711 products are provided with AL-CLAD fusion-bonded epoxy coating as standard.



### Style 711 Insulating Coupling

Style 711 insulating couplings offer the same seal and restraining principle, but feature insulating characteristics. PPO thermoplastic follower insulators, PP body insulators and HDPE/PVC pipe end spacers provide electrical isolation when joining dissimilar alloy or vintage metallic piping.



## Style 711 Bolted Couplings for PE to PE\*, PE to Steel and Steel to Steel Connections Conductive Sizes 1-1/4" - 12"

Pipe Size Nominal	Diameter	Product Ratings		Polyethylene Pipe Pullout Resistance up to the Max. Wall Listed Meets or Exceeds D.O.T. 192.281 (e) (See Notes)	
		Max. Sealing Pressure	Max. Steel Pipe Pullout Resistance	PE PIPE INSERT	Weight per Coupling Less Insert
1-1/4	1.660	150 psi	2,500 lbs	SDR 9.3	5
2	2.375	150 psi	6,300 lbs	SDR 9.3	8
3	3.500	300 psi	13,000 lbs	SDR 11	16
4	4.500	300 psi	15,000 lbs	SDR 11	25
6	6.625	300 psi	30,000 lbs	SDR 11	50
8	8.625	150 psi	47,000 lbs	SDR 11	75
10	10.750	150 psi	97,000 lbs	SDR 11	125
12	12.750	150 psi	115,000 lbs	SDR 11	155

### Insulating Sizes 2" - 12" NOTE: Only STEEL Pipe can be used on the Insulating End

Pipe Size Nominal	Diameter	Product Ratings		Polyethylene Pipe Pullout Resistance up to the Max. Wall Listed Meets or Exceeds D.O.T. 192.281 (e) (See Notes)	
		Max. Sealing Pressure	Max. Steel Pipe Pullout Resistance	PE PIPE INSERT	Weight per Coupling Less Insert
2	2.375	150 psi	6,300 lbs	SDR 9.3	8
3	3.500	300 psi	13,000 lbs	SDR 11	16
4	4.500	300 psi	15,000 lbs	SDR 11	25
6	6.625	300 psi	30,000 lbs	SDR 11	50
8	8.625	150 psi	47,000 lbs	SDR 11	77
10	10.750	150 psi	97,000 lbs	SDR 11	125
12	12.750	150 psi	115,000 lbs	SDR 11	155

NOTE 1: For wall thickness greater than SDR listed, contact Dresser for recommendation.

Pull-out resistance is based on using Dresser reinforcing pipe inserts.

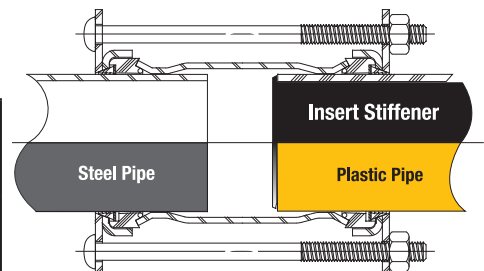
NOTE 2: For all sizes and configurations, please refer to your Dresser Price List or contact your Dresser sales representative.

\* Polyethylene Pipe as Listed in ASTM D2513

### DRESSER NGS Insert Stiffeners

Pipe Size Nominal	SDR	Stiffener O.D. ± .015	Length
1-1/4	9.3	1.260	7
	10	1.297	
	11	1.312	
	13.5	1.400	
2	9.3	1.834	7
	11	1.900	
	13.5	2.000	
3	11	2.812	8
	11.5	2.844	
	13.5	2.950	
4	11	3.610	8
	11.5	3.630	
	13.5	3.800	
	15.5	3.933	
	17	4.500	

Pipe Size Nominal	SDR	Stiffener O.D. ± .015	Length
6	11	5.323	8
	11.5	5.342	
	13.5	5.530	
	17	5.765	
	21	5.942	
8	23	6.017	8
	11	6.915	
	11.5	7.000	
	13.5	7.233	
10	17	7.550	8
	21	7.694	
	11	8.600	
12	13.5	9.011	9
	15.5	9.246	
	11	10.211	
12	13.5	10.693	9-1/4
	17	11.097	



SDR Insert	Color Code
9	Yellow
9.3	Dark Blue
10	Grey
11	Black
11.5	Red
13.5	White
15.5	Brown
17	Purple
21	Green

## Style 711 Reducing Couplings for PE to PE\*, PE to Steel and Steel to Steel Connections Conductive Sizes 2" - 12"

Pipe Size Nominal	Diameter	Product Ratings		Polyethylene Pipe Pullout Resistance up to the Max. Wall Listed Meets or Exceeds D.O.T. 192.281 (e) (See Notes)	
		Max. Sealing Pressure	Max. Steel Pipe Pullout Resistance	PE PIPE INSERT	Weight per Coupling Less Insert
2 x 1-1/4	2.375/1.660	150 psi	2,500 lbs	SDR 9.3	14
3 x 2	3.500 x 2.375	150 psi	6,300 lbs	SDR 9.3	18
4 x 2	4.500 x 2.375	150 psi	6,300 lbs	SDR 9.3	21
4 x 3	4.500 x 3.500	150 psi	13,000 lbs	SDR 11	25
6 x 4	6.625 x 4.500	150 psi	15,000 lbs	SDR 11	44
8 x 6	8.625 x 6.625	150 psi	30,000 lbs	SDR 11	65
10 x 6	10.750 x 6.625	150 psi	30,000 lbs	SDR 11	126
12 x 10	12.750 x 10.75	150 psi	115,000 lbs	SDR 11	177

## Insulating Sizes 2" - 8"

Pipe Size Nominal	Diameter	Product Ratings		Polyethylene Pipe Pullout Resistance up to the Max. Wall Listed Meets or Exceeds D.O.T. 192.281 (e) (See Notes)	
		Max. Sealing Pressure	Max. Steel Pipe Pullout Resistance	PE PIPE INSERT	Weight per Coupling Less Insert
2 x 1-1/4	2.375/1.660	150 psi	2,500 lbs	SDR 9.3	14
3 x 2	3.500 x 2.375	150 psi	6,300 lbs	SDR 9.3	17
4 x 2	4.500 x 2.375	150 psi	6,300 lbs	SDR 9.3	21
6 x 4	6.625 x 4.500	150 psi	15,000 lbs	SDR 11	45
8 x 6	8.625 x 6.625	150 psi	30,000 lbs	SDR 11	56

NOTE 1: For wall thickness greater than SDR listed, contact Dresser for recommendation.

Pull-out resistance is based on using Dresser reinforcing pipe inserts.

NOTE 2: For all sizes and configurations, please refer to your Dresser Price List or contact your Dresser sales representative.

\* Polyethylene Pipe as Listed in ASTM D2513

## Style 711 Line Caps and Flange Adapters for Steel (IPS) and PE\* Pipe

Pipe Size Nominal	Diameter	Product Ratings		PE Pipe Pullout Resistance up to the Max. Wall Listed Meets or Exceeds D.O.T. 192.281 (e)	Weight per Fitting Less Insert	
		Max. Sealing Pressure	Max. Steel Pipe Pullout Resistance	PE PIPE INSERT	Line Cap	Flange Adapter
1-1/4	1.660	150 psi	2,500 lbs	SDR 9.3	9	11
2	2.375	150 psi	6,300 lbs	SDR 9.3	13	15
3	3.500	150 psi	13,000 lbs	SDR 11	16	20
4	4.500	150 psi	15,000 lbs	SDR 11	20	26
6	6.625	150 psi	30,000 lbs	SDR 11	29	45
8	8.625	150 psi	47,000 lbs	SDR 11	38	64
10	10.750	150 psi	97,000 lbs	SDR 11	70	105
12	12.750	150 psi	115,00 lbs	SDR 11	140	155

NOTE 1: For wall thickness greater than SDR listed, contact Dresser for recommendation.

Pull-out resistance is based on using Dresser reinforcing pipe inserts.

\* Polyethylene Pipe as Listed in ASTM D2513

# Style 711 Reducing Couplings for Cast Iron Pipe

For Cast to PE and Cast to Steel

Pipe Size Nominal	Diameter	Product Ratings		PE Pipe Pullout Resistance up to the Max. Wall Listed Meets or Exceeds D.O.T. 192.281 (e)	Weight per Coupling with One Insert
		Max. Sealing Pressure	Max. Cast/Steel Pipe Pullout Resistance	PE PIPE INSERT	
3 x 3	3.800/3.500	60 psi	13,000 lbs	SDR 9.3	28
4 x 2	4.800/2.375	60 psi	6,300 lbs	SDR 9.3	29
4 x 3	4.800/3.500	60 psi	13,000 lbs	SDR 9.3	30
4 x 4	4.800/4.500	60 psi	15,000 lbs	SDR 11	32
4 x 4	5.000/4.500	60 psi	15,000 lbs	SDR 11	32
6 x 4	6.900/4.500	60 psi	15,000 lbs	SDR 11	51
6 x 6	6.900/6.625	60 psi	30,000 lbs	SDR 11	57
6 x 6	7.100/6.625	60 psi	30,000 lbs	SDR 11	57
8 x 6	9.050/6.625	60 psi	30,000 lbs	SDR 11	67
8 x 8	9.050/8.625	60 psi	47,000 lbs	SDR 11	69
8 x 8	9.300/8.625	60 psi	47,000 lbs	SDR 11	69
12 x 12	13.200/12.750	60 psi	115,000 lbs	SDR 11	152

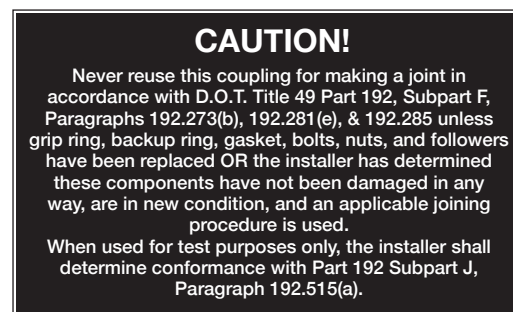
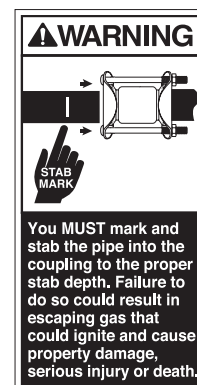
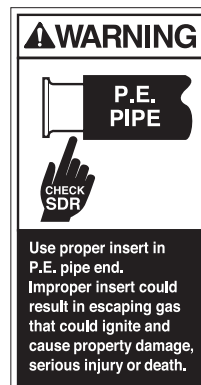
NOTE 1: For wall thickness greater than SDR listed, contact Dresser for recommendation. Pull-out resistance is based on using Dresser reinforcing pipe inserts.

## Style 711 Insulated Line Cap for Cast Iron Pipe

Insulating Sizes 3" - 12"

Pipe Size Nominal	Diameter	Product Ratings		Weight per Coupling Less Insert
		Max. Sealing Pressure	Max. Pipe Pullout Resistance	
3	3.800	60 psi	13,000 lbs	24
4	4.800	60 psi	15,000 lbs	24
4	5.000	60 psi	15,000 lbs	24
6	6.900	60 psi	30,000 lbs	33
6	7.100	60 psi	30,000 lbs	33
8	9.050	60 psi	47,000 lbs	43
8	9.300	60 psi	47,000 lbs	43
12	13.200	60 psi	115,000 lbs	145

NOTE 1: When used on Steel or CIP, the joint must be considered a rigid connection.



### Dresser™ Pipeline Solutions

41 Fisher Avenue  
Bradford, PA 16701  
T: 814.362.9300  
F: 814.362.9344

© 2021 Natural Gas Solutions North America, LLC – All rights reserved.  
Natural Gas Solutions reserves the right to make changes in specifications and features shown herein, or discontinue the product described at any time without notice or obligation. Contact your Dresser Natural Gas Solutions representative for the most current information.  
The Dresser Logo and all Trademarks containing the term "Dresser" are the property of Dresser, LLC, a subsidiary of Baker Hughes.

**DRESSER**  
NATURAL GAS SOLUTIONS  
www.dresserngs.com

NGS-DPS-005  
711.DATA.SHEET.1.2021